

Specifications

Voltage: 12VDC

LED Module Specifications: 12VDC, 45mA,

Watts: 0.24 Watts

Average LED Life: 50,000 hours

LED Colour:

Cover: Stainless Steel

Barrel Finish: Stainless Steel

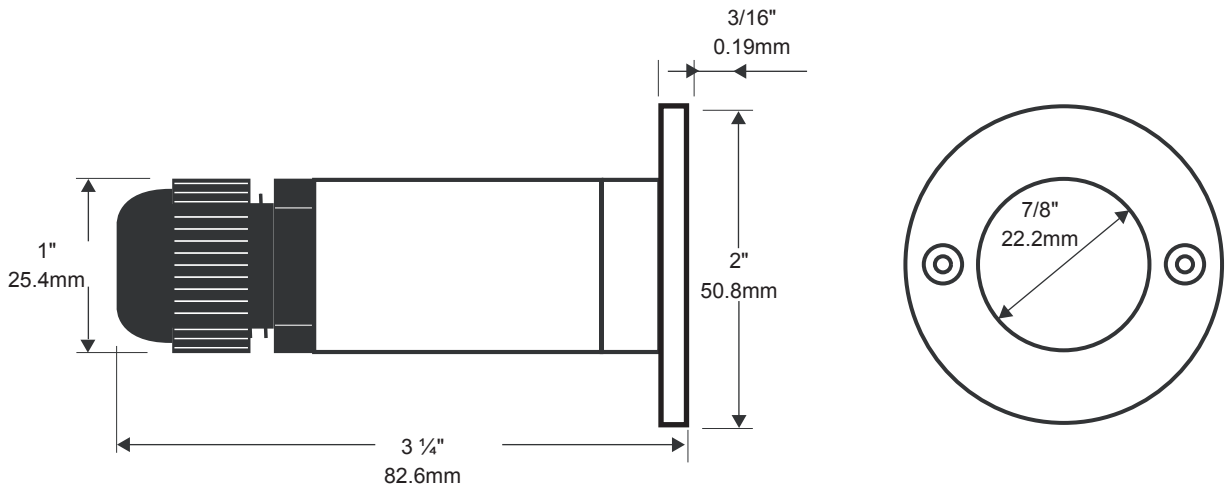
Packaging Individually packaged in 2 colour corrugated box3

Contruction: Both cover and barrel are die cast aluminum for corrosion protection, strength, weight and consistency of finish.

Lens: Frosted Tempered Glass

Wiring Options: LW-18G-CL2 for all in-wall applications.
LW-18G-BUR for all burial applications.

Agency Approval: cUL listed and labeled for wet, IC, ceiling, wall and direct burial applications.



Revisions:

4		
3		
2		
1		



Project:

Part number: LEDMD-XX-SS

Scale: NTS

Product: LED MINIDISC 12V, STAINLESS STEEL

Type:

Date: