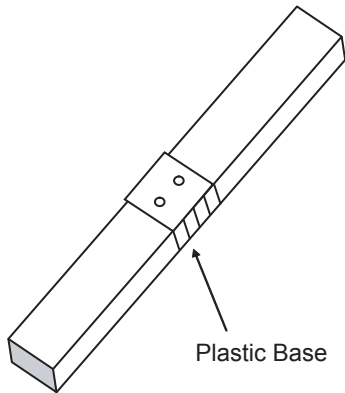
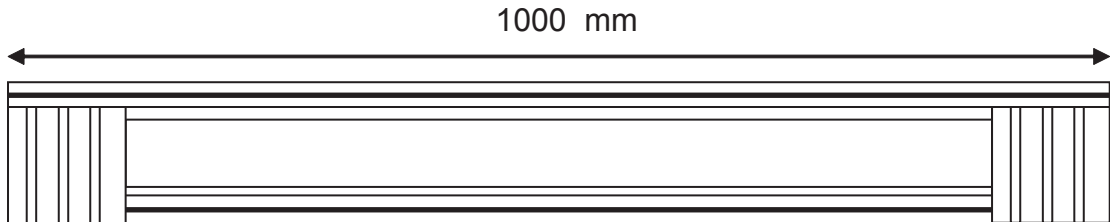
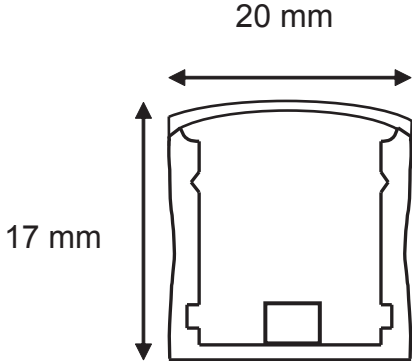
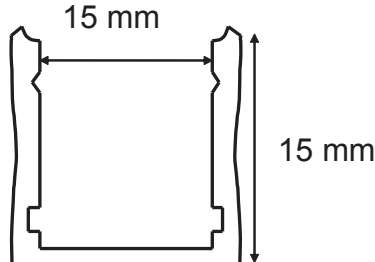


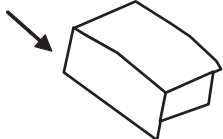
**Specifications**

Extrusion Profile Aluminum  
 Lens Frosted PC  
 Length 1000mm

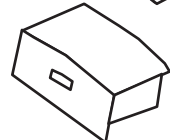


**LV-D1/D3-MC**  
 Mounting clips for surface mount track

**LV-D1/D3-EC**  
 END CAP FOR SURFACE MOUNT TRACK WITHOUT WIRE LEAD PROVISION




**LV-D1/D3-EC-WF**  
 LV-D1/D3-ECEND CAP FOR SURFACE MOUNT WITH WIRE LEAD PROVISION



All dimensions are in mm

Revisions:

4		
3		
2		
1		

	Project:	Part number: LV-LB-D3-FR	Scale: NTS
	Product: SURFACE MOUNT ALUMINUM TRACK 1 METER		Date: