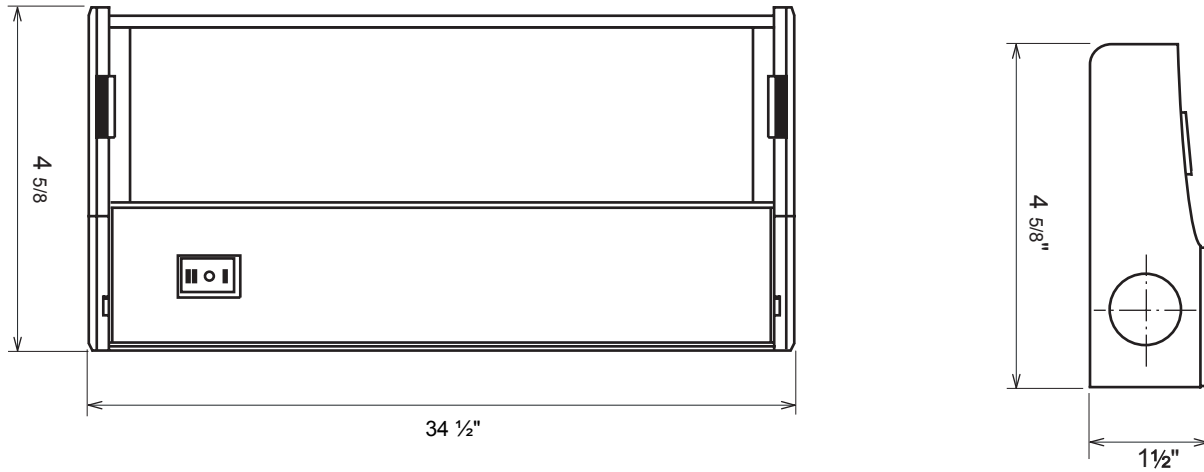


Xenon Task Light (XTL) is the perfect affordable solution for under cabinet, counter and shelf lighting.



## Features

- Safety - low pressure 18 watt xenon lamp
- 10,000 hour lamp life
- Easily dimmable
- Fast and easy installation - push in terminals for wire connection, snap on covers
- 120 volt through wiring
- Available in 1, 2, 3, 4 & 5 lamp units
- Hinged lens for easy relamping
- Captive mounting screws included in bulb compartment
- Available in 4 colours
- 5' pre-installed cord and plug also available
- 1 year limited warranty

## Specifications

<b>Operating Voltage</b>	120 Volt
<b>Watts</b>	72W
<b>Weight</b>	1450g
<b>Dimension (L x W x H)</b>	34 1/2" x 4 5/8" x 1 1/2" 875mm x 113mm x 39mm
<b>Product Material</b>	Aluminum body, ABS end covers
<b>Product Finish</b>	Black & White: Powder Coating Aluminum, Bronze: Anodized
<b>Product Colour</b>	Black, White, Aluminum, Bronze
<b>Lens</b>	Frosted Glass
<b>Cover Finish Side Cover</b>	(Black, White & Bronze): Plastic Injection Side Cover (Aluminum): Vacuum Plating
<b>Replacement Lamp</b>	12 V, 18 W, product code XTL-BULB

Hardwire units can be daisy chained up to 66 bulbs or 1188 watts

## Ordering Code:

**XTL - 4** -  -

**HW** - Hardwire      **AL** - Aluminum  
**PC** - Plug & Cord    **BK** - Black  
                                  **BZ** - Bronze  
                                  **WH** - White

Project		Type	
Date		Contact	
Notes			