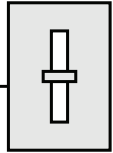


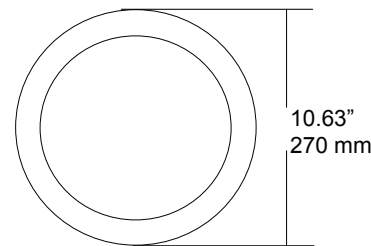
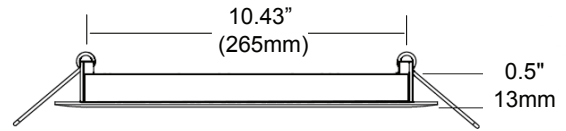
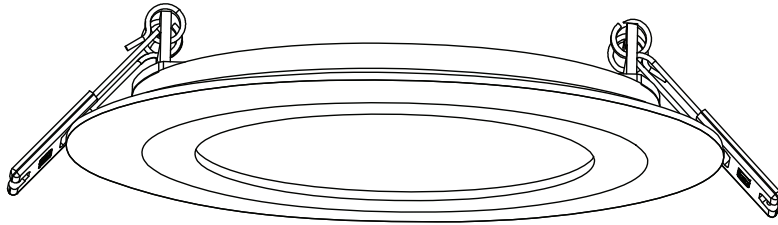
Thin-Line LED Down Light

DIMMABLE



10", 19 watts Thin-line LED Down Light. Designed for retrofit and new construction, damp and wet locations, Thin Line Downlights are a versatile and affordable choice for countless applications.

UL2108 Certified



Features

- Energy Star rated - up to 80% energy savings
- 120° beam spread
- Warm White and Neutral White colour temperatures
- Two spring loaded clips to attach to any ceiling material
- 4 trim finishes available
- Suitable for damp and wet locations
- No IC can required, for direct contact with insulation and combustible materials
- 50,000 hour life
- 5 year limited warranty
- Airtight
- cETLus and Energy Star listed

Specifications

CTT	WW (3000K) NW (4000K)
Input Current	560mA
Output Power(W)	19 Watts
Working	36V DC
Lumen (lm)	118 l (WW) 120 l (NW)
CRI	>80
Luminous Efficacy (lm/W)	62lm/w (WW) 63lm/w (NW)
Approved Location	Damp / Wet
Life Span	> 50,000 hrs
Appearance Size	10.63" W x 0.5" D (270mm W x 13mm D)
Installation Hole Size	10.43" (265mm)

Ordering Code:

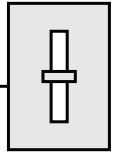
LVLDL - 10 - - - WOD

LED Colour: WW (Warm White 3000K), NW (Natural White 4000K)
Trim Finish: WH = White Gloss Enamel, BK = Black, BZ = Bronze, BN = Brushed Nickel

Project		Type	
Date		Contact	
Notes			

Thin-Line LED Down Light

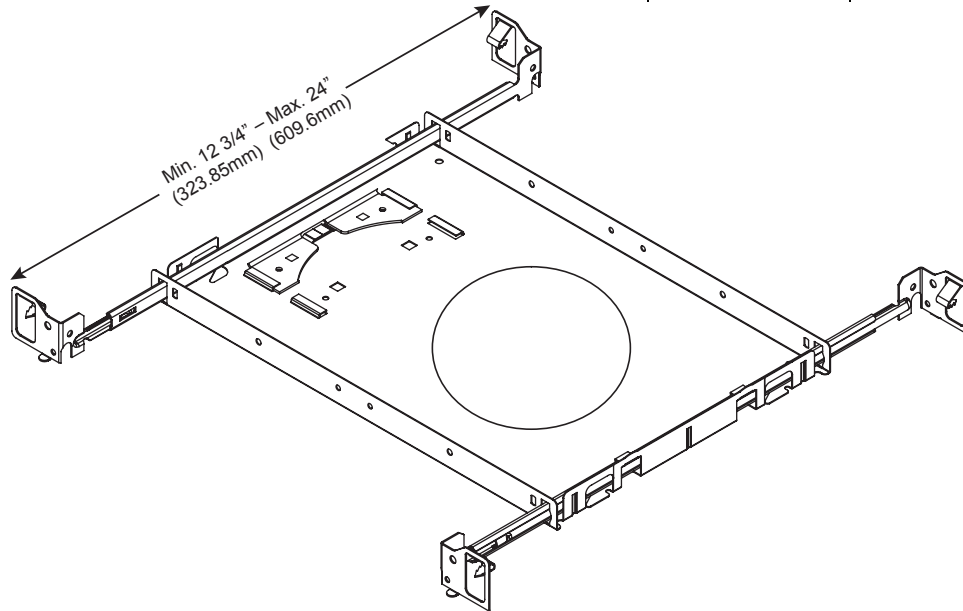
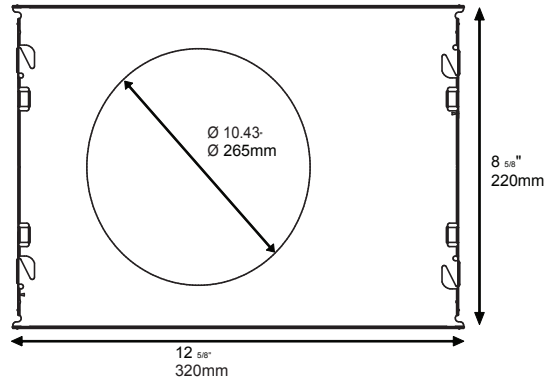
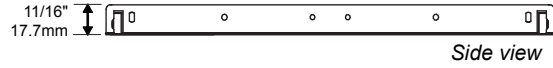
DIMMABLE



10", 19 watts Thin-line LED Down Light. Designed for retrofit and new construction, damp and wet locations, Thin Line Downlights are a versatile and affordable choice for countless applications.

Construction Plate

LVLDL-10-NCH
 (Base plate / Hanger Bar)
 Assembly for new construction



Note: this item is sold separately.