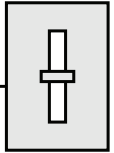


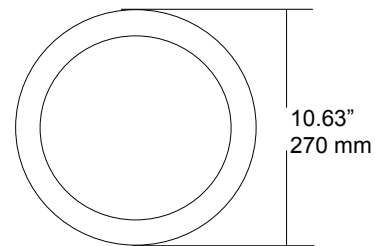
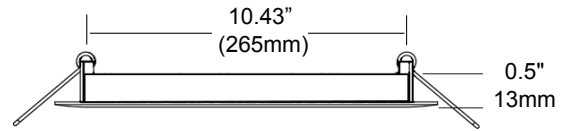
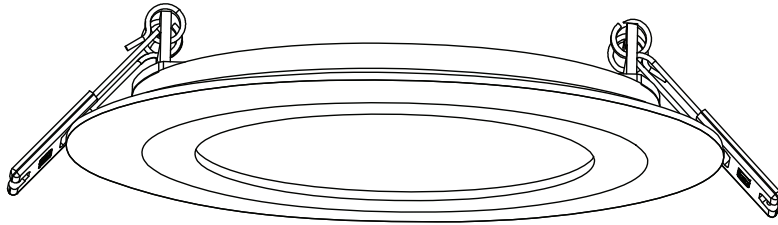
Thin-Line CCT LED Down Light

DIMMABLE



10", 17 watts Thin Line CCT LED Down Light. Designed for retrofit and new construction, damp and wet locations, Thin Line Downlights are a versatile and affordable choice for countless applications.

UL2108 Certified



Features

- Energy Star rated - up to 80% energy savings
- 120° beam spread
- 2700K-6000K colour temperatures
- Two spring loaded clips to attach to any ceiling material
- 3 trim finishes available
- Suitable for damp and wet locations
- No IC can required, for direct contact with insulation and combustible materials
- 50,000 hour life
- 5 year limited warranty
- Airtight
- cETLus and Energy Star listed

Specifications

CCT	2700K-6000K
Input Current	470mA
Output Power(W)	17 Watts
Working	36V DC
Input Wiring	4 wires
Lumen (lm)	940
CRI	90+
Luminous Efficacy (lm/W)	55lm/w
Approved Location	Damp / Wet
Life Span	> 50,000 hrs
Appearance Size	10.63" W x 0.5" D (270mm W x 13mm D)
Installation Hole Size	10.43" (265mm)

Ordering Code:

LVLDL - 10 - CCT - - WOD

Trim Finish

WH = White
BK = Black
BZ = Bronze

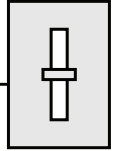
Project		Type	
Date		Contact	
Notes			



Thin-Line CCT LED Down Light



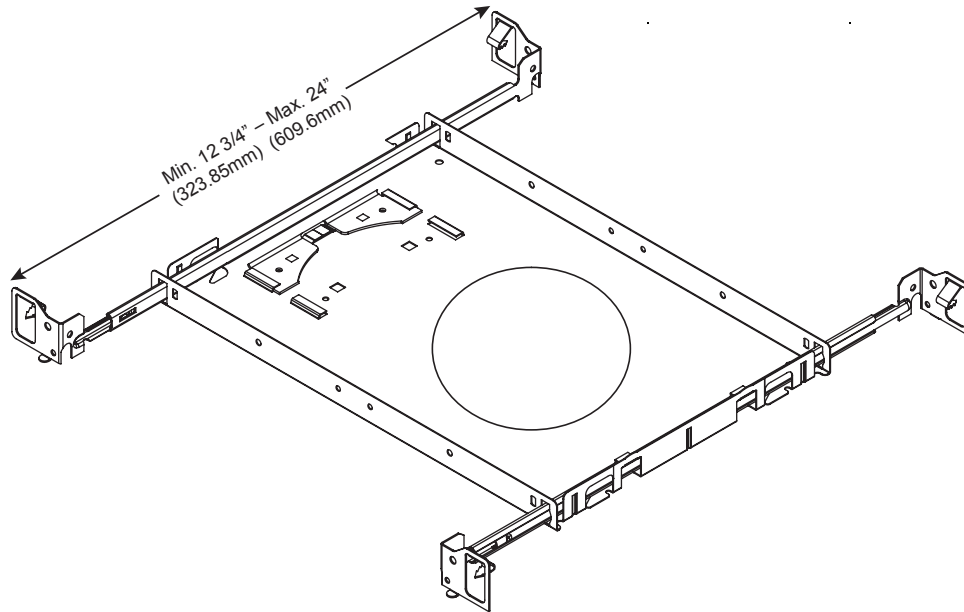
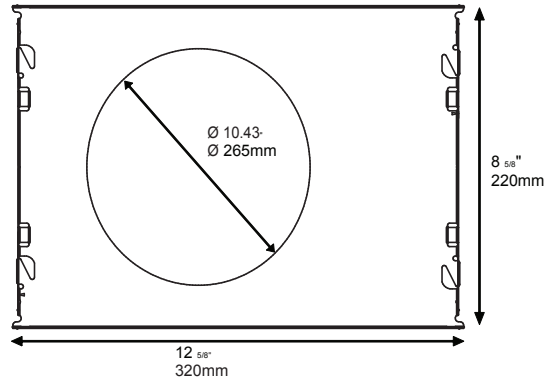
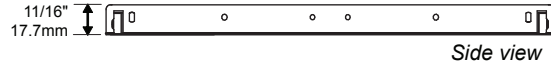
DIMMABLE



10", 17 watts Thin Line CCT LED Down Light. Designed for retrofit and new construction, damp and wet locations, Thin Line Downlights are a versatile and affordable choice for countless applications.

Construction Plate

LVLDL-10-NCH
(Base plate / Hanger Bar)
Assembly for new construction



Note: this item is sold separately.



www.magiclite.com

905-825-9592
888-945-5483

905-825-8334

lights@magiclite.com