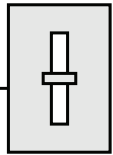




Thin Line Square CCT LED Down Light



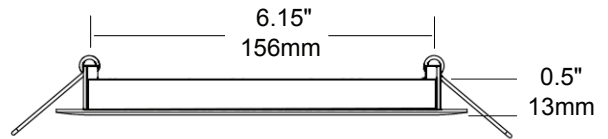
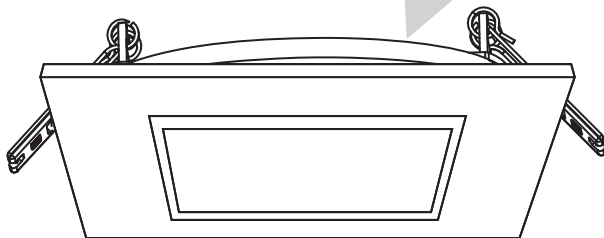
DIMMABLE



6", 11 watts Thin Line Square CCT LED Down Light. Designed for retrofit and new construction, damp and wet locations, Thin Line Downlights are a versatile and affordable choice for countless applications.

UL2108 Certified

Round Mounting Base



Features

- Energy Star rated - up to 80% energy savings
- 120° beam spread
- 2700K-6000K colour temperatures
- Two spring loaded clips to attach to any ceiling material
- 3 trim finishes available
- Suitable for damp and wet locations
- No IC can required, for direct contact with insulation and combustible materials
- 50,000 hour life
- 5 year limited warranty
- Airtight
- cETLus and Energy Star listed

Specifications

| | |
|--------------------------|--|
| CCT | 2700K-6000K |
| Input Current | 300mA |
| Output Power(W) | 11 Watts |
| Working | 36V DC |
| Input Wiring | 4 wires |
| Lumen (lm) | 600 |
| CRI | 90+ |
| Luminous Efficacy (lm/W) | 55lm/w |
| Approved Location | Damp / Wet |
| Life Span | > 50,000 hrs |
| Appearance Size | 7.16" W x 0.5" D (182mm W x 13mm D) |
| Installation Hole Size | 6.15" (156mm) |

Ordering Code:

LVLDDL - 06S - CCT - - WOD

Trim Finish

WH = White
BK = Black
BZ = Bronze

| | | | |
|---------|--|---------|--|
| Project | | Type | |
| Date | | Contact | |
| Notes | | | |



www.magiclite.com

905-825-9592
888-945-5483

905-825-8334

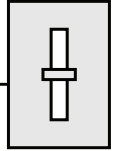
lights@magiclite.com



Thin Line Square CCT LED Down Light



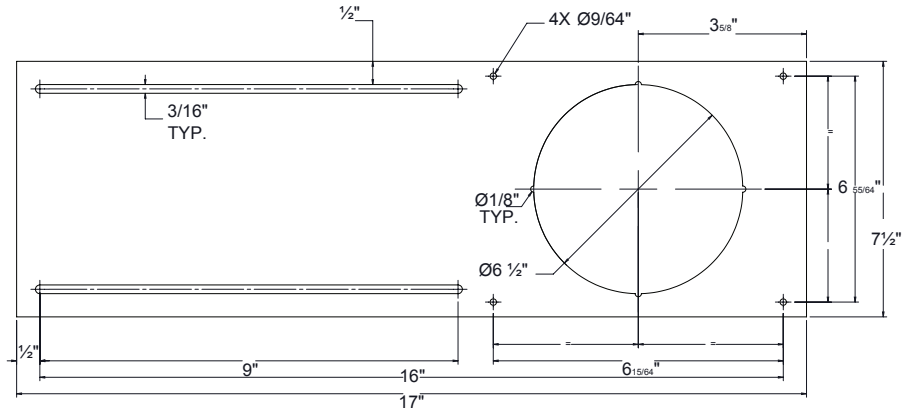
DIMMABLE



6", 11 watts Thin Line Square CCT LED Down Light. Designed for retrofit and new construction, damp and wet locations, Thin Line Downlights are a versatile and affordable choice for countless applications.

Construction Plate

LVLDDL-CP-06



Note: this item is sold separately.



www.magiclite.com

905-825-9592
888-945-5483

905-825-8334

lights@magiclite.com