

The LED Work Light is an energy savings, impact resistant, long life temporary lighting solution for illuminating workplaces, shops, garages, and warehouses.



## Features

- 50,000 hours life
- Spring Loaded Hook
- 10ft power cord with plug
- 6 KV surge protection
- Hidden, built-in hidden socket
- Eye-catching housing
- Elecyrolytic stainless steel guard
- Epistar LEDs
- Hollow Heat Sink
- Silicone gaskets for damp location use
- 5 year limited warranty

## Specifications

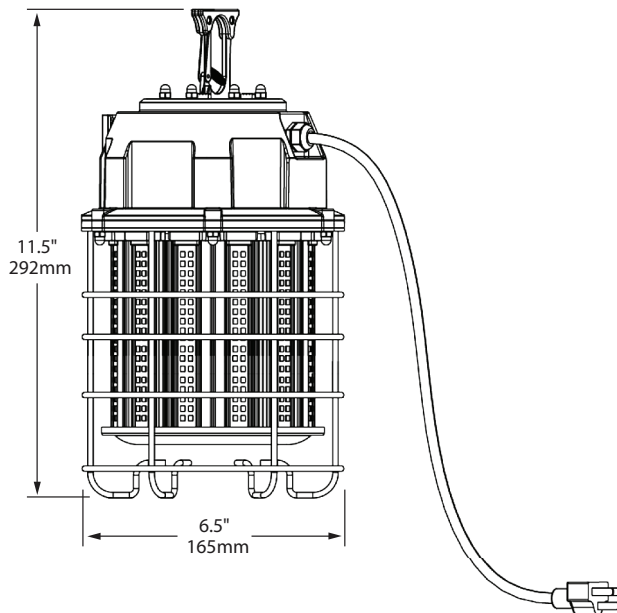
Electrical	AC100–277V, 100W, 50–60Hz
Surge Protection	6 KV
Driver	Internal Driver
LEDs	Epistar 2835
Number of LEDs	408
Life Span	50,000 hours
Lumen Output	12,500 lumens
Luminous Efficacy	125 LM/W
CRI	>80
CCT	5000 K
Beam Angle	360°
Dimensions	6.5" x 11.5" H (165 mm x 292 mm)
Net Weight	2.8 kg
Approvals	DLC, cUL, listed for damp location

## Ordering Code:

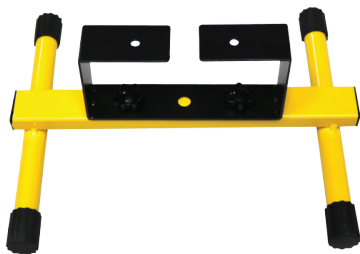
LWL-100W-50

Project		Type	
Date		Contact	
Notes			

*The LED Work Light is an energy savings, impact resistant, long life temporary lighting solution for illuminating workplaces, shops, garages, and warehouses.*



## Accessories



LWL-FM Floor Mount



LWL-TM Tripod Mount



LWL-MM Magnetic Mount