

# LED Edgelit Puck Lights

The Edge Lit Puck Lights are sleek and powerful surface mount lighting fixtures, combining the easy installation with high performance LED's. Featuring strong internal magnets, these fixtures can be installed on metal surfaces, without screws or mounting holes.



DIMMABLE



## Features

- 30,000 hours life
- Edgelit design with smooth light output
- Safe 24V low voltage operation
- Operating temperature: -30°C to 40°C
- Durable die-cast aluminum housing suitable for dry location
- Strong magnet and stamped steel plate for surface mounting
- 72 inch pre-installed lead wire
- 3-year limited warranty

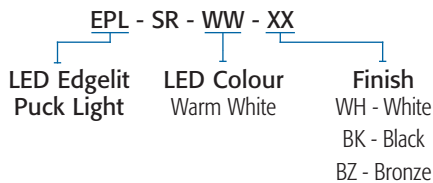
## Applications

- Under cabinets
- Over cabinets
- Indirect lighting
- Display cases
- Furniture
- Shelf lighting

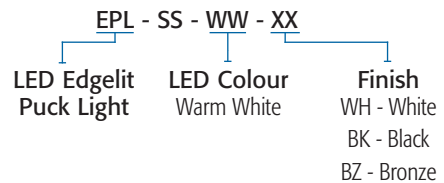
## Specifications

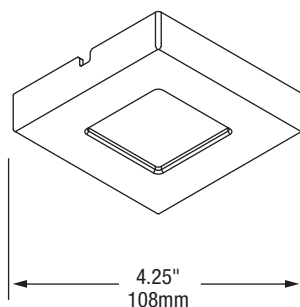
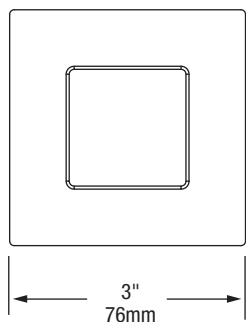
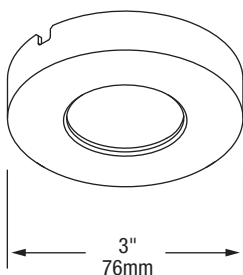
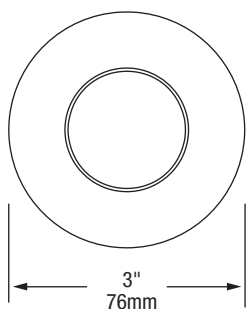
Electrical	24V DC, 4W
LED Specs	5630 SMD LEDs
Efficacy	50 Lumens per Watt
Fixture Illuminance	200 Lumens
Colour Temperature	Warm White (3000K)
CRI	> 90
Product Material	Die-cast aluminum
Finish	White, Black, Bronze
Mounting	Surface mount
Approvals	cETLus

### Product Codes (Round)



### Product Codes (Square)





## Accessories



### LMSII-001

Terminal block and junction box for connection to additional lengths of power cable if needed.

## Indoor/Outdoor Dimmable Drivers

### MLDRE-40-24-DM

Max recommended load 36W or 9 Edge Lit Puck Lights,  
min 8W or 2 Edge Lit Puck Lights  
6.77" x 2.67" x 1.26" (171 x 68 x 32mm)

### MLDRE-96-24-DM

Max recommended load 92W or 23 Edge Lit Puck Lights,  
min 8W or 2 Edge Lit Puck Lights  
6.77" x 2.67" x 1.26" (171 x 68 x 32mm)

## Non Dimmable Drivers

### MLDR-120-24

Indoor/Outdoor driver  
Max. recommended load 96W or 24 Edge Lit Puck Lights per single tap, 120W or 30 Edge Lit Puck Lights combined two secondary taps.  
120W hardwire  
Input: 100 - 240V AC  
Output: 24V DC  
10" x 3 3/8" x 3 3/16" (254 x 85.7 x 80.9mm)

### MLDR-20-24JB

Indoor driver  
Max recommended load 16W or 4 Edge Lit Puck Lights  
20W hardwire  
Input: 100 - 240V AC  
Output: 24V DC  
4 1/8" x 4 1/8" x 1 1/2" (104.8 x 104.8 x 38.1mm)

## Non-dimmable Plug In Drivers

### MLDR-18-24P

Max. 16W or 4 Edge Lit Puck Lights

### MLDR-60-24P

Max. 56W or 14 Edge Lit Puck Lights