

Round LED Surface Mount Down Lights

LED Surface Mount Down Light is a low-profile downlight intended for ceiling mount applications. Features driver on board (DOB) technology, with no external driver needed. These flush mount LED ceiling lights mount directly into a 4" junction box. Ideal for general LED Lighting in residential and commercial applications.



Features

- Driver on Board Technology, provides a 120V alternating current source and eliminates the need for traditional LED driver
- Quick & easy to install on standard junction box, ceiling mount with mounting plate
- Die-cast aluminum housing
- Smooth and continuous dimming, dimmable with most standard dimmers
- Rated for 50,000 hours
- No light bulbs to replace or dispose
- Instant full brightness (including in sub-zero temperatures)
- 80+ CRI
- cETLus listed for wet locations
- 5 year limited warranty

Residential Applications

- Kitchens
- Pantries
- Laundry rooms
- Under soffits (outdoor)

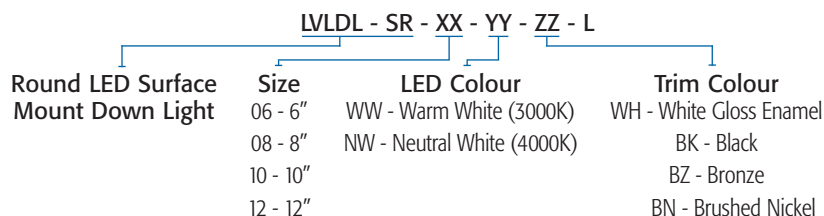
Commercial Applications

- Lobbies
- Hallways
- Banquet halls
- Elevators
- Stairways
- Retail
- Restaurants
- Office lighting
- Under cabinet
- In cabinet
- Wall mount for egress lighting
- Under soffits (outdoor)

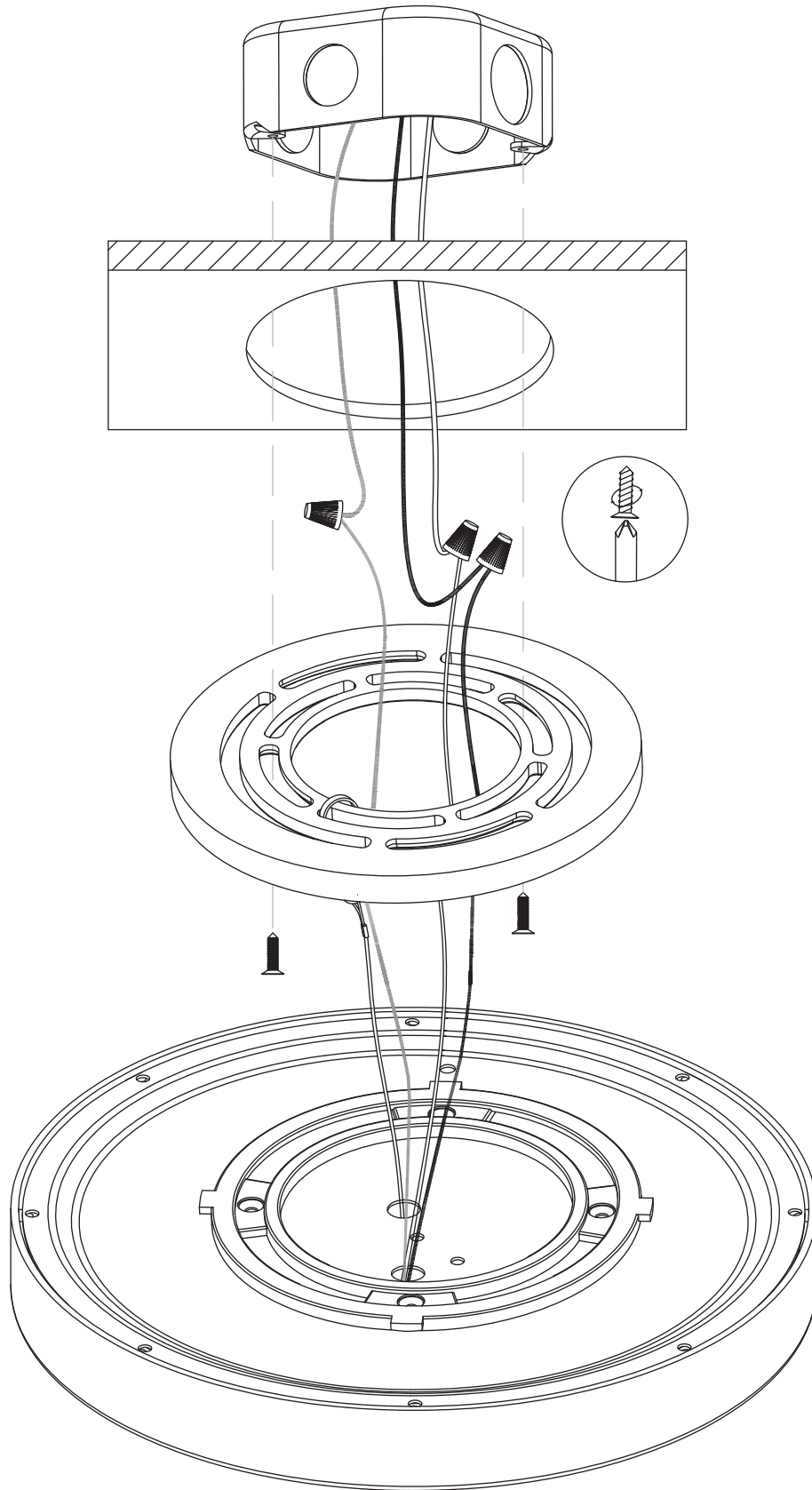
Specifications

Electrical	Input: AC 100 – 120V 6" = 11W 8" = 14W 10" = 17W 12" = 22W
Power Factor	0.95
LEDs	Epistar
LED Life	50,000 hours
Lumen Output WW = Warm White NW = Neutral White	6" = 880 WW, 900 NW 8" = 1000 WW, 1050 NW 10" = 1200 WW, 1250 NW 12" = 1800 WW, 1850 NW
Lumen Efficacy (LPW) WW = Warm White NW = Neutral White	6" = 80 WW, 82 NW 8" = 71 WW, 75 NW 10" = 70 WW, 73 NW 12" = 82 WW, 84 NW
Colour Temperature	Warm White 3000K, Neutral White 4000K
CRI	≥ 80
Appearance Size (D x H)	6" = 6" x 1" (152mm x 25mm) 8" = 8" x 1" (203mm x 25mm) 10" = 10" x 1" (254mm x 25mm) 12" = 12" x 1" (305mm x 25mm)
Approvals	cETLus listed for wet locations, Energy Star rated

Product Codes



NOTE: WH, BZ, and BN are stock, BK is special order, MOQ required.



Square LED Surface Mount Down Lights

LED Surface Mount Down Light is a low-profile downlight intended for ceiling mount applications. Features driver on board (DOB) technology, with no external driver needed. These flush mount LED ceiling lights mount directly into a 4" junction box. Ideal for general LED Lighting in residential and commercial applications.



DIMMABLE



Features

- Driver on Board Technology, provides a 120V alternating current source and eliminates the need for traditional LED driver
- Quick & easy to install on standard junction box, ceiling mount with mounting plate
- Die-cast aluminum housing
- Smooth and continuous dimming, dimmable with most standard dimmers
- Rated for 50,000 hours
- No light bulbs to replace or dispose
- Instant full brightness (including in sub-zero temperatures)
- 80+ CRI
- cETLus listed for wet locations
- 5 year limited warranty

Residential Applications

- Kitchens
- Pantries
- Laundry rooms
- Under soffits (outdoor)

Commercial Applications

- Lobbies
- Hallways
- Banquet halls
- Elevators
- Stairways
- Retail
- Restaurants
- Office lighting
- Under cabinet
- In cabinet
- Wall mount for egress lighting
- Under soffits (outdoor)

Specifications

Electrical	Input: AC 100 – 120V 6" = 11W 8" = 14W 10" = 17W 12" = 22W
Power Factor	0.95
LEDs	Epistar
LED Life	50,000 hours
Lumen Output WW = Warm White NW = Neutral White	6" = 880 WW, 900 NW 8" = 1000 WW, 1050 NW 10" = 1200 WW, 1250 NW 12" = 1800 WW, 1850 NW
Lumen Efficacy (LPW) WW = Warm White NW = Neutral White	6" = 80 WW, 82 NW 8" = 71 WW, 75 NW 10" = 70 WW, 73 NW 12" = 82 WW, 84 NW
Colour Temperature	Warm White 3000K, Neutral White 4000K
CRI	≥ 80
Appearance Size (L x W x H)	6" = 6" x 6" x 1" (152mm x 152mm x 25mm) 8" = 8" x 8" x 1" (203mm x 203mm x 25mm) 10" = 10" x 10" x 1" (254mm x 254mm x 25mm) 12" = 12" x 12" x 1" (305mm x 305mm x 25mm)
Approvals	cETLus listed for wet locations, Energy Star rated

Product Codes

LVLDL - SS - XX - YY - ZZ - L			
Square LED Surface Mount Down Light	Size	LED Colour	Trim Colour
	06 = 6"	WW - Warm White (3000K)	WH - White Gloss Enamel
	08 = 8"	NW - Neutral White (4000K)	BK - Black
	10 = 10"		BZ - Bronze
	12 = 12"		BN - Brushed Nickel

NOTE: WH, BZ, and BN are stock, BK is special order, MOQ required.

