

WIRING AND MOUNTING INSTRUCTIONS

CAUTION! Only qualified electricians or people familiar with household electrical circuits should bring 120VAC power to the fixture. Wiring may require an inspection by local authorities building department. Check with your local building department before installation.

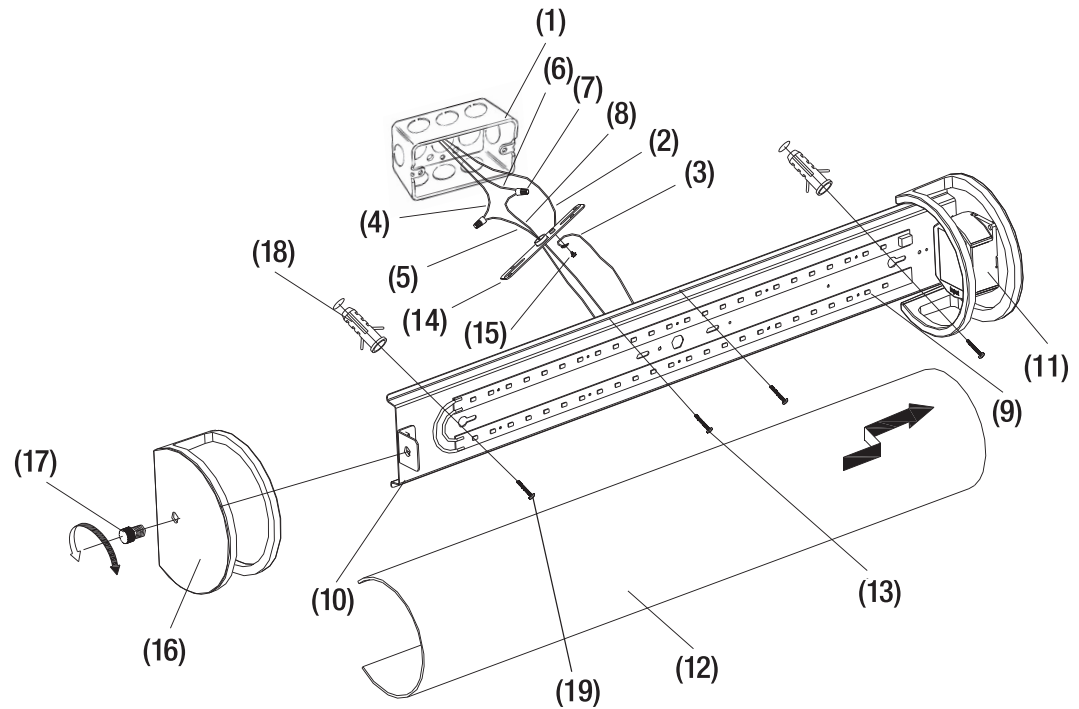
CAUTION! Before bringing 120VAC power to the fixture, make sure incoming wire is not “hot” and all power coming to the wire is off.

CAUTION! All connections must be made in accordance with this instruction manual, current NEC / CEC and all local building codes. Minimum 90C supply conductors.

1. The Vanity Light fixture mounts to a standard 2" X 4" junction box with mounting screws provided.
2. Remove the fixture's top ring and diffuser.
3. Strip 1/3" (8mm) of the insulation off each incoming 120VAC power wire. Connect white incoming 120VAC wire (neutral wire) to the white wire from the fixture and secure with wire nut provided. Connect black incoming 120VAC wire to the black wire from the fixture and secure with wire nut provided. The electrical box you are mounting to should have ground connection to it. Thread all wires firmly down into wire nuts, so that uninsulated wire is not exposed.
4. Mount fixture to the junction box using the mounting bracket and the screws provided.
5. Replace the diffuser and secure the top ring with the threaded cap.

VANITY LIGHT DIMMING

Vanity Light is dimmable to about 10% with most standard dimmers.



- | | |
|-----------------------------|----------------------|
| 1. Junction Box | 11. LED Driver |
| 2. Junction Box Ground Wire | 12. Diffuser |
| 3. Fixture Ground Wire | 13. Fixture Screws |
| 4. Junction Box White Wire | 14. Mounting Bracket |
| 5. White Fixture Wire | 15. Ground Screw |
| 6. Junction Box Black Wire | 16. Ring |
| 7. Wire Connector | 17. Threaded Cap |
| 8. Black Fixture Wire | 18. Anchor |
| 9. LED Circuit Board | 19. Anchor Screw |
| 10. Fixture Housing | |

WARNING AND CAUTIONS

Caution / Warning! To reduce the risk of fire, electric shock or injury to persons:

1. Disconnect from all 120VAC power prior to installation.
2. Connections must be made in accordance with all local electrical codes and or NEC/CEC.
3. Minimum 90C supply conductors.
4. For maximum load with dimmer, consult dimmer instructions.
5. 14 gauge (Romex Type) or better wire is required to feed electrical box (supplied by others)
6. Install in accordance to manufacturer's instructions, current local codes and or the current Canadian Electrical Code or National Electrical Code. THIS PRODUCT MUST BE INSTALLED IN ACCORDANCE WITH THE APPLICABLE INSTALLATION CODE BY A PERSON FAMILIAR WITH THE CONSTRUCTION AND OPERATION OF THE PRODUCT AND THE HAZARDS INVOLVED.

SPECIFICATIONS

Electrical Rating:

Input Voltage: 120VAC +- 10%



Power Consumption: 20W

Colour Temperature: 3000K, 4000K, 5000K

CRI: 80

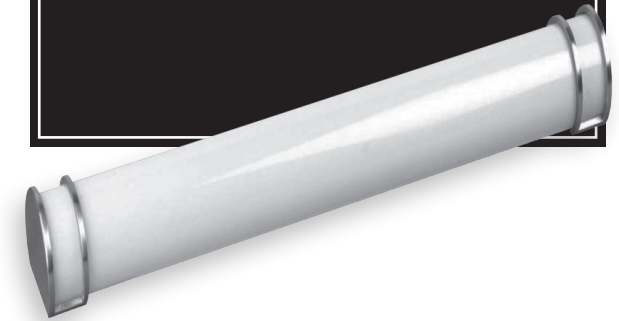
LED Luminous flux: 1600 lumens

LED Life: 50,000 hours to 70% lumen output

Approvals Listing:  

INSTALLATION AND
SAFETY INSTRUCTIONS

VANITY LIGHT



Beautifully designed and elegant, the Vanity Lights can replace any existing indoor accent lighting, creating tremendous energy savings, at an extremely affordable price.

