

LED Panel Light

Magic Lite's LED Panel Lights are designed to replace traditional fluorescent troffers while providing superior light with virtually no maintenance. These state of the art, edge lit LED panels come in three sizes and are made with premium materials assuring you of optimum performance and the best lumen maintenance in the industry.



DIMMABLE
0-10V Dimming

UL2108 Certified



Features

- Super bright LM80 LED 0.5W 2835SMD, Ra>80
- Lumen output: 110-120lm/w DLC4.2 Standard, 125-140lm/w DLC4.2 Premium
- Longbright brand isolated driver, PF>0.9, THD≤15%
- AC100-277V, 0-10V dimmable
- PMMA LGP 3mm thick, Anti-Yellowing
- Non-flicker, No glare, No dark spot
- cUL DLC certifications
- Ideal replacement for traditional troffer with over 35% energy saving
- 5 Years warranty

Residential Applications

- Kitchens
- Bathrooms
- Laundry rooms
- Pantries
- Rec Rooms

Commercial Applications

- Retail
- Offices
- Hallways
- Elevators
- Banquet Halls
- Restaurants

Specifications

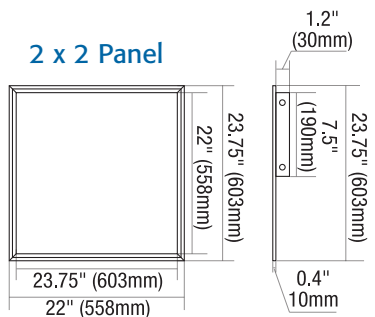
Electrical	120V AC, 347V AC
Power Factor	0.90 Non-Flicker, 40W/60W
LEDs	High bright SMD2835
Number of LEDs	PL-2X2-40W-XX = 192 PL-1X4-40W-XX = 192 PL-2X4-60W-XX = 336 PLP-2X2-40W-XX = 192 PLP-1X4-40W-XX = 192 PLP-2X4-60W-XX = 384
LED Life	50,000 hours
THD	≤ 15%
CCT	3000K, 4000K, 5000K
Lumen Output	PL-2X2-40W-XX = 4400 Lumens PL-1X4-40W-XX = 4400 Lumens PL-2X4-60W-XX = 6600 Lumens PLP-2X2-40W-XX = 5200 Lumens PLP-1X4-40W-XX = 5200 Lumens PLP-2X4-60W-XX = 7800 Lumens
CRI	> 80
Beam Angle	120°
Material	AL+PMMA
Working Temperature	-4°F ~ 112°F (-20°C ~ +45°C)
Storage Temperature	-13°F ~ 149°F (-25°C ~ +65°C)
IP Grade	IP44
Approvals	cUL listed

Product Codes DLC 4.2 Standard

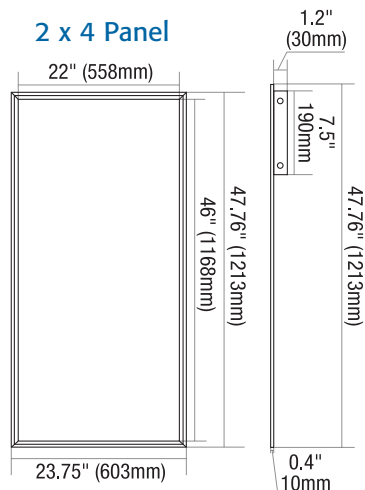
PL - XXX - YYW - ZZ			
LED Panel Light	Size	Watts	LED Colour
	2X2 - 2' x 2'	40 - 40 Watts	30 - 3000K
	1X4 - 1' x 4'	60 - 60 Watts	40 - 4000K
	2X4 - 2' x 4'		50 - 5000K

Product Codes DLC 4.2 Premium

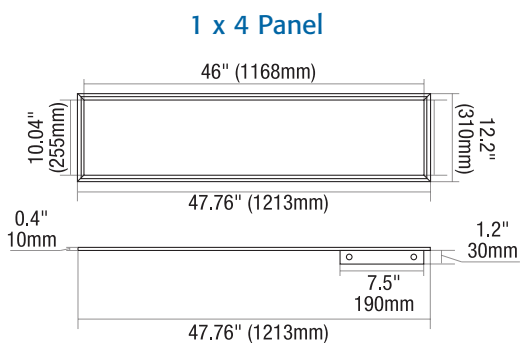
PLP - XXX - YYW - ZZ			
LED Panel Light	Size	Watts	LED Colour
	2X2 - 2' x 2'	40 - 40 Watts	30 - 3000K
	1X4 - 1' x 4'	60 - 60 Watts	40 - 4000K
	2X4 - 2' x 4'		50 - 5000K



24" x 24" x 0.4" (603mm x 603mm x 10mm)

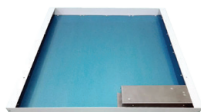


24" x 48" x 0.4" (603mm x 1213mm x 10mm)



12" x 48" x 0.4" (301mm x 1213mm x 10mm)

Accessories



PL-2X2-SMK
 PL-2X4-SMK
 PL-1X4-SMK
 Surface mount kit



Part# PL-2X2/1X4-SK
 Suspension kit for use with
 2 x 2 and 1 x 4 panels
 PL-2X4-SK
 Suspension kit for use with
 2 x 4 panels