

GENERAL GUIDELINES FOR FIXTURE INSTALLATION

1. Fixtures are shipped as 2 separate components to form a complete fixture: 1) LED 13W Module/trim, and 2) housing complete with LED driver. Low voltage connections to fixture are made outside of junction box by means of quick connect. No additional housings are required when being mounted in non insulated ceilings or insulated ceilings. Fixtures are insulated ceiling rated. Optional Insulated ceiling housings are available. (see OPTIONAL IC HOUSING INSTRUCTIONS)
2. Assure all power is off to locations where fixtures are being installed before beginning installation.

FIXTURE INSTALLATION GUIDELINES FOR NEW CONSTRUCTION

Each NC housing comes with the power supply pre-mounted in junction box on side of housing. There is a quick connect for connecting secondary side of power supply to fixture when you are ready to install the low voltage fixture.

1. Assure all power is off to locations where fixtures are being installed before beginning installation.
2. Install new construction housing to joists using adjustable mounting bars.
3. Connect 120V power to 120V side of LED driver (see markings on driver for wire colour codes) in box using proper electrical connectors. Connect incoming ground wire to ground wire in junction box.
4. Install gypsum board or other ceiling material.
5. Cut appropriate size hole for your fixture trim.
6. Connect low voltage module/trim to secondary side of power supply using quick connects provided.
7. Use clips provided with module/trim to secure fixture through opening in new construction housing.

8. After all fixtures have been completely installed, turn on branch circuit breaker. If any fixtures do not illuminate after 15 seconds, then turn off circuit breaker and check errant fixture for proper connections on both primary and secondary wiring.

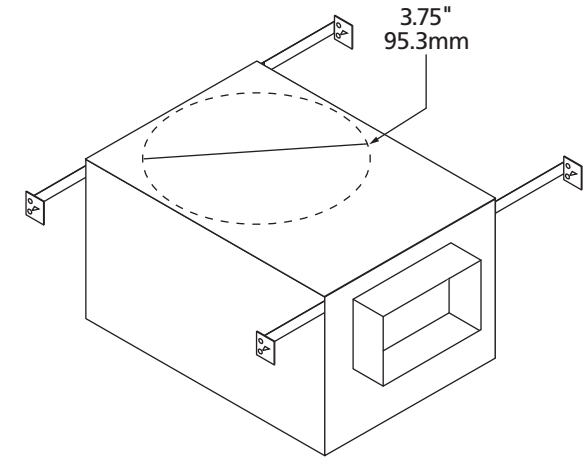
OPTIONAL FIXTURE INSTALLATION GUIDELINES USING OPTIONAL IC HOUSING

IC Housings are available as an option for those wishing to pre-install them, however, they are not required as fixtures are IC rated and can be installed in direct contact with insulation. Each IC housing comes with the power supply pre-mounted in junction box on side of housing. There is a quick connect for connecting secondary side of power supply to fixture when you are ready to install the low voltage fixture.

***Note:** Local building codes may require that you use a vapour barrier protection device available at most electrical distributors. This item is not supplied by Magic Lite Ltd.

1. Assure all power is off to locations where fixtures are being installed before beginning installation.
2. Install Insulated ceiling housing to joists using adjustable mounting bars.
3. Connect 120V power to 120V side of LED driver (see markings on driver for wire colour codes) in box using proper electrical connectors. Connect incoming ground wire to ground wire in junction box.
4. Install gypsum board or other ceiling material.
5. Cut appropriate size hole for your fixture trim.
6. Connect low voltage module/trim to secondary side of power supply using quick connects provided.
7. Use clips provided with module/trim to secure fixture through opening in insulated ceiling enclosure.
8. After all fixtures have been completely installed, turn on branch circuit breaker. If any fixtures do not illuminate after 15 seconds, then turn off circuit breaker and check errant fixture for proper connections on both primary and secondary wiring.

NC Housings	Description
LV-DL13-NC-C	New construction housing c/w driver, $\Phi 3 \frac{3}{4}"$ (95mm)
IC Housings	
LV-DL13-IC-C	Insulated ceiling housing c/w driver, $\Phi 3 \frac{3}{4}"$ (95mm)
Remote	
LV-DL13-R	Junction Box with Driver, 1 7/8" x 1 1/2" x 6" (47.6 x 38.1 x 152.4mm)



REMOTE DRIVER INSTALLATIONS

For installations requiring remote driver positioning, Magic Lite supplies the LED driver in an electrical junction box. Junction box must be securely mounted according to local electrical code. Mounting holes are provided in the bottom of the remote driver box for this purpose.

1. Connect primary side of LED driver to 120V power using proper strain reliefs on junction box(see cautions at beginning of these instructions – power must be off!) Connect ground wire to ground wire on junction box.

Mount fixture in desired location and connect to secondary side of LED driver with quick connects provided. Note, if power supply is further away from fixture than existing leads allow for, use extension cords with quick connects which are available in 10' lengths (Magic Lite part # LV-DL-EX-10).

See detailed instructions above for fixture mounting.

WARNING AND CAUTIONS

Caution / Warning! To reduce the risk of fire, electric shock or injury to persons:

1. Turn off branch circuit breaker to all locations where LED Downlights are being installed prior to beginning installation.
2. Do not operate fixture with missing or damaged parts.
3. Do not install more than 80 fixtures on a single 15 Amp circuit.
4. Install only in dry locations.
5. These LED Downlights are dimmable. **Please see list of compatible dimmers below.**

Trailing Edge: 120 VAC input:

- 1) Lutron - Skylark - SELV300P
- 2) Lutron - Maestro - MAELV 600
- 3) Lutron - NovaT- NTELV 300
- 4) Lutron - Diva - DVELV 300P
- 5) Leviton - Illumatech - IPE04
- 6) Leviton - Sureslide - 6615
- 7) Leviton - Vizia - VZE061LZ

6. Install in accordance to manufacturer's instructions, current local codes and or the current Canadian Electrical Code or National Electrical Code. THIS PRODUCT MUST BE INSTALLED IN ACCORDANCE WITH THE APPLICABLE INSTALLATION CODE BY A PERSON FAMILIAR WITH THE CONSTRUCTION AND OPERATION OF THE PRODUCT AND THE HAZARDS INVOLVED.

SPECIFICATIONS

Electrical Rating:

Input Voltage: 120VAC

Output Power: 13 Watts

Average LED Life: 50,000 hours to 70% original lumen output

Finish Options: white, aluminum

Approvals Listing: 

	LV-DL13XX-WW-YY	LV-DL13XX-NW-YY
Power (W)	13	13
Size (mm)	Ø70x102	Ø70x102
Colour Temperature WW/NW	3000–3500K	4000–4500K
Lumen (lm) 3000K	1080	1240
Beam Angle (°)	30/60	30/60
Input Current (A)	0.28	0.28
Input Voltage (V DC)	42	42

XX - Specify 30 or 60° Beam angle, YY - AL = Aluminum trim, WH = White trim.
Specify WW or NW when ordering i.e. LV-DL13-30-WW-WH (module)
HOUSINGS: New Construction: LV-DL13-NC-C, IC: LV-DL13-IC
Order as 2 separate components for complete fixture LV-DL13-NC housing,
LV-DL13-60-WW-WH module/trim

INSTALLATION AND
SAFETY INSTRUCTIONS

MAGIC LITE LV-DL13 SERIES



The LV-DL13 is easy to install and is perfect for one to one replacements for traditional 75W PAR halogen ceiling fixtures in residential and commercial applications for office, restaurants, and retail stores.


MAGIC LITE ■ 2013 LTD.
www.magiclite.com


MAGIC LITE ■ 2013 LTD.

