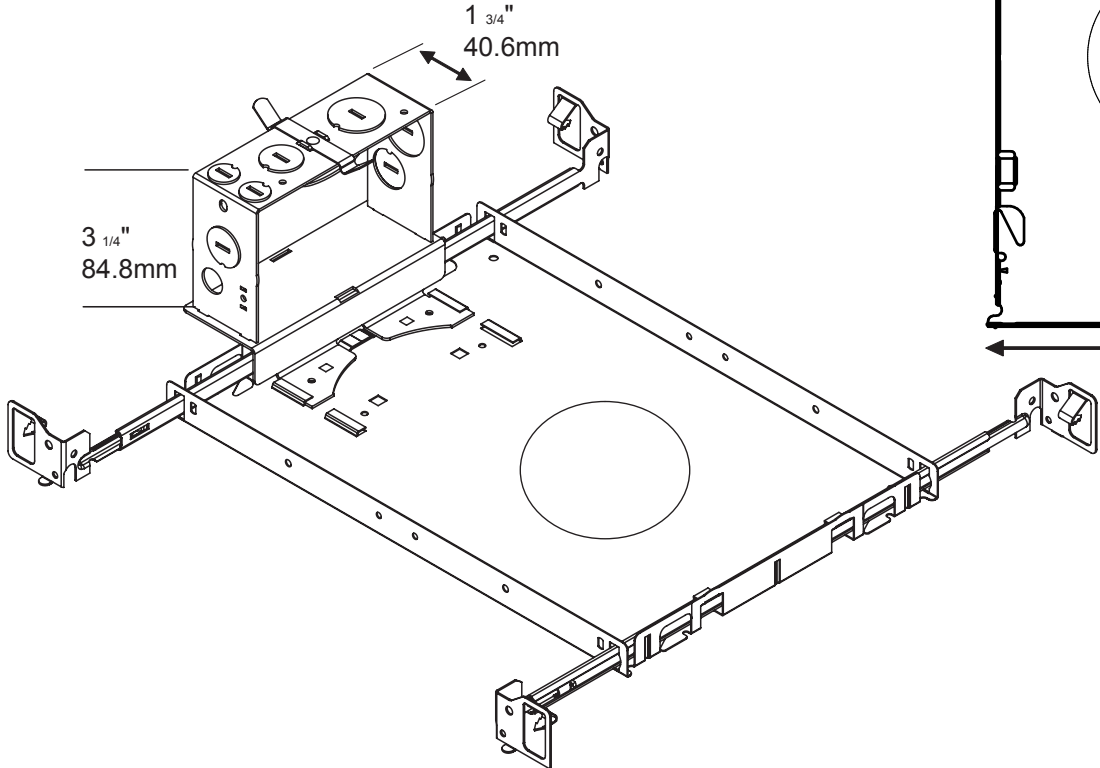
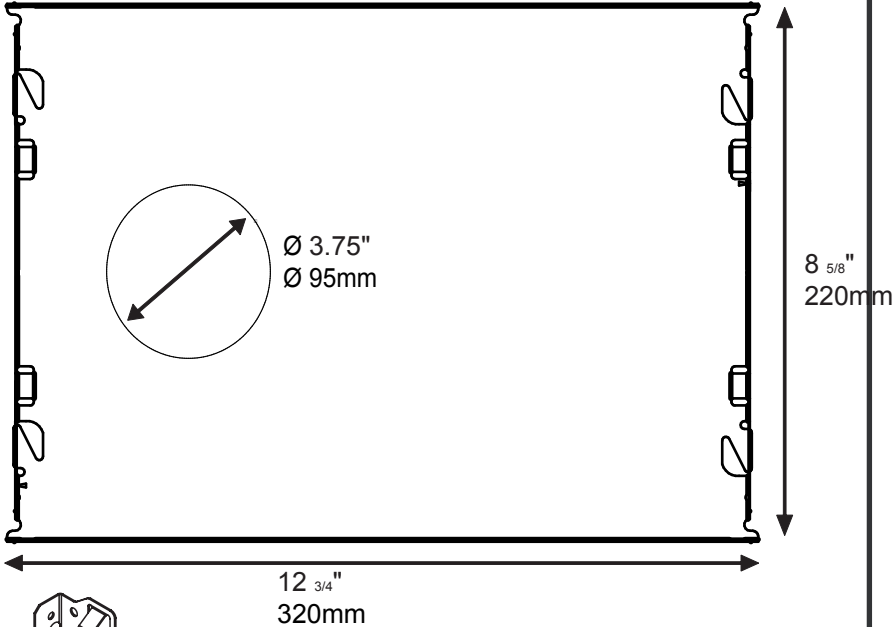


Driver Specifications

Voltage Input: 100-120-Vac 60Hz
 Output: 24Vdc 280 mA 11.8 Max
 Power Factor: >0.9
 Dimming: Trailing Edge Electronic Dimmer
 Operating Triac Dimming: 10-100%
 Class 2



Revisions:

4		
3		
2		
1		



Project:	Part number: LV-DL8-NC-C	Scale: NTS
Product: NEW CONSTRUCTION HOUSINGC/W DRIVER C SERIES	Type:	Date: