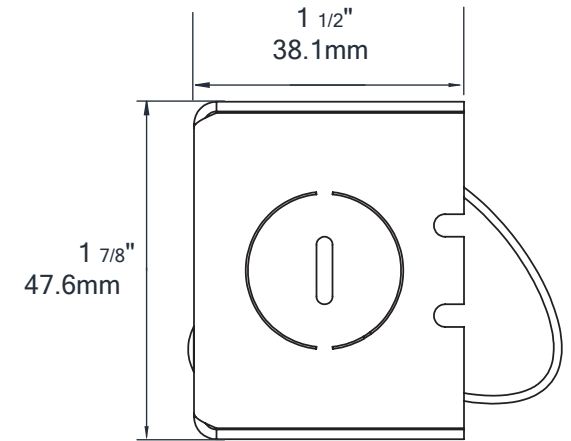
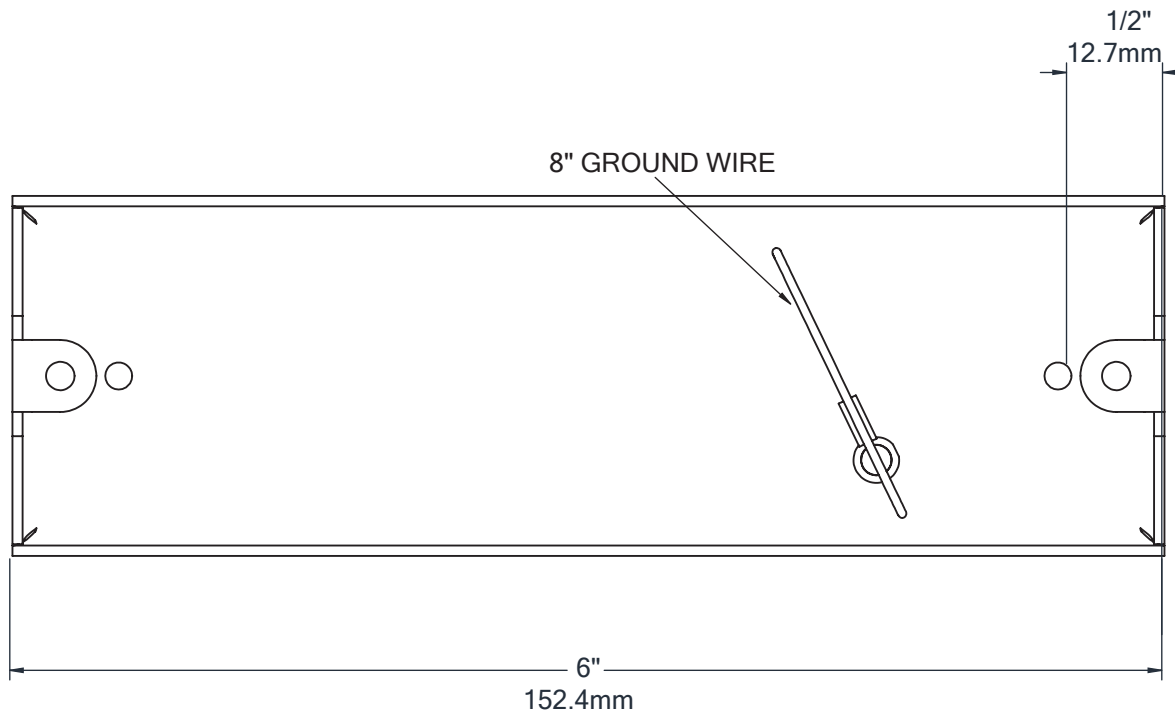


### Driver Specifications

Voltage Input: 100-120-Vac 60Hz  
 Output: 24Vdc 280 mA 11.8 Max  
 Power Factor: >0.9  
 Dimming: Trailing Edge Electronic Dimmer  
 Operating Triac Dimming: 10-100%  
 Class 2  
 Size: 1-7/8"x1-1/2"x6"  
 (47.6x38.1x152.4mm)



#### Revisions:

4		
3		
2		
1		



Project:

Part number: LV-DL8-R

Scale: NTS

Product: DRIVER AND JB FOR REMOTE MOUNTING

Type:

Date: