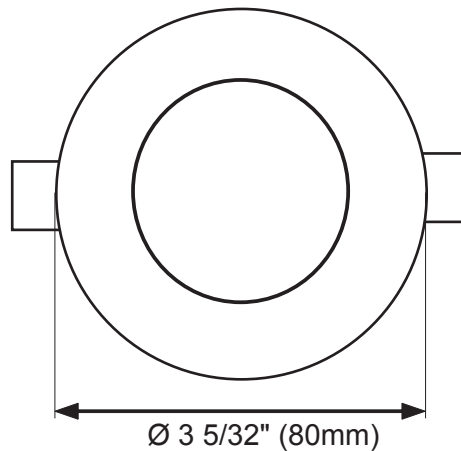


LV-DL8 Specification

Power (W) 8.2
 Size (mm) Ø50x80
 Colour Temperature 4000-4500K
 Lumen (lm) 625
 Beam Angle (°)
 Input Current 0.30
 Input Voltage 25-32

Trim Specifications

Trim Finish
 Size Ø 3 5/32" (80mm)



Revisions:

4		
3		
2		
1		



Project:

Part number:LV-DL8-XX-NW / LV-DL8-A1-XX

Scale: NTS

Product:8W 4000-4500K NEUTRAL WHITE MODULE DOUBLE GIMBLE FLUSH TRIM

Type:

Date: